



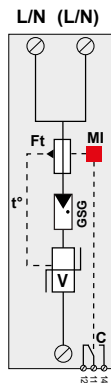
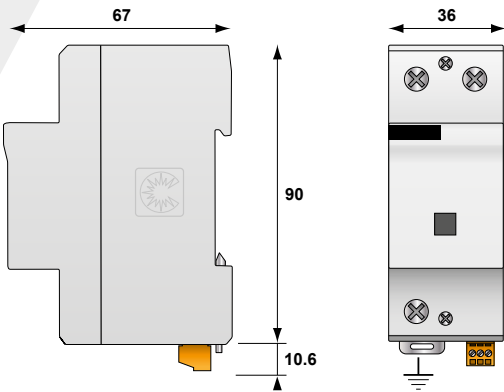
DS250VG-300

DS250VG SERIES

- Type 1 + 2 + 3 Surge protector
- limp: 25 kA on 10/350 μ s impulse
- Low Up level
- Internal disconnection, status indicator and remote signaling
- Optimized to TOV
- IEC 61643-11 and EN 61643-11 compliance
- UL 1449 ed. 4 recognized



Characteristics



V: High energy varistor network
 GSG: Specific gas Tube
 MI: Disconnection indicator
 Ft: Thermal fuse
 t*: Thermal disconnection system
 C: Contact for remote signal

CITEL Model		DS250VG-400	DS250VG-300	DS250VG-120
Description		Type 1+2+3 AC surge protector 1-pole		
Network		230/400 V	230/400 V	120/208 V
Max. AC operating voltage	Uc	440 Vac	255 Vac	150 Vac
Temporary Over Voltage (TOV) Characteristics - 5 sec.	UT	580 Vac withstand	335 Vac withstand	180 Vac withstand
Temporary Over Voltage (TOV) Characteristics - 120 mn	UT	770 Vac withstand	440 Vac withstand	230 Vac withstand
Residual current - Leakage current at Uc	Ipe	None	None	None
Max. Load current (if connection serie)	IL	100 A	100 A	100 A
Follow current	If	None	None	None
Nominal discharge current 15 x 8/20 μ s impulses	In	30 kA	30 kA	30 kA
Max. discharge current max. withstand @ 8/20 μ s by pole	I _{max}	70 kA	70 kA	70 kA
Impulse current by pole max. withstand 10/350 μ s	limp	25 kA	25 kA	25 kA
Specific energy by pole	W/R	156 kJ/ohm	156 kJ/ohm	156 kJ/ohm
Withstand on Combination waveform Class III test	Uoc	20 kV	20 kV	20 kV
Protection level (@ In (8/20 μ s) and 6 kV (1.2/50 μ s))	Up	1.5 kV	1.5 kV	1 kV
Residual voltage @ 5kA (8/20 μ s)	Up-5kA	1 kV	0.6 kV	0.4 kV
Admissible short-circuit current	I _{sc}	50000 A	50000 A	50000 A
Associated disconnectors				
Thermal disconnector		internal		
Fuses		Fuses type gG - 315 A / or CITEL SFD-25		
Installation ground fault breaker (if required)		Type «S» or delayed		
Mechanical characteristics				
Dimensions		see diagram		
Connection to Network		By screw terminals : 6-35 mm ² / by bus		
Disconnection indicator		1 mechanical indicator		
Remote signaling of disconnection		output on changeover contact		
Mounting		Symmetrical rail 35 mm (EN60715)		
Operating temperature		-40/+85°C		
Protection rating		IP20		
Housing material		Thermoplastic UL94-V0		
Standards				
Compliance		IEC 61643-11 / EN 61643-11 / UL1449 ed.4		
Certification		EAC	UL / CSA / EAC	UL / EAC
Part number				
		2578	2577	2787

TYPE 1 + 2 + 3 AC MULTIPOLAR SURGE PROTECTOR

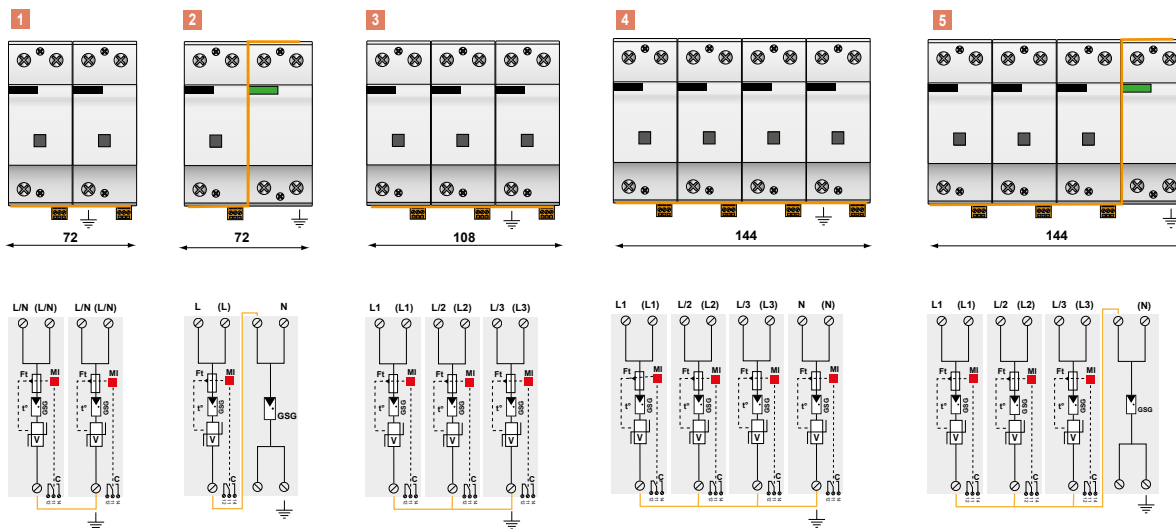
DS252VG, DS253VG, DS254VG



DS254VG-300/G

DS25x VG-xxx/G

- " " = CT1 configuration (common mode)
- "G" = CT2 configuration (common and diff. mode)
- Operating/nominal voltage
- "VG" = «GSG/MOV» technology
- Number of protected poles



- V: High energy varistor network
- GSG: Specific gas Tube
- Ft: Thermal fuse
- C: Remote signaling contact
- t°: Thermal disconnection system
- MI: Disconnection indicator

Model	P/N	Network	AC system	Protection Mode	I _{total}	Up L/PE	Up L/N	Up N/PE	Diagram
DS254VG-300/G	2756	230/400 V 3-phase+N	TT-TNS	L/N and N/PE	100 kA	-	1.5 kV	1.5 kV	6
DS254VG-120/G	2757	120/208 V 3-phase+N	TT-TNS	L/N and N/PE	100 kA	-	1 kV	1.5 kV	
DS254VG-400	2581	230/400 V 3-phase+N	IT	L/PE and N/PE	100 kA	1.5 kV	-	1.5 kV	5
DS254VG-300	3713	230/400 V 3-phase+N	TNS	L/PE and N/PE	100 kA	1.5 kV	-	1.5 kV	
DS254VG-120	3722	120/208 V 3-phase+N	TNS	L/PE and N/PE	100 kA	1 kV	-	1 kV	3
DS253VG-400	2580	230/400 V 3-phase	IT	L/PE	75 kA	1.5 kV	-	-	
DS253VG-300	3896	230/400 V 3-phase	TNC	L/PE	75 kA	1.5 kV	-	-	1
DS253VG-120	3959	120/208 V 3-phase	TNC	L/PE	75 kA	1 kV	-	-	
DS252VG-300/G	3403	230 V single phase	TT-TN	L/N and N/PE	50 kA	-	1.5 kV	1.5 kV	2
DS252VG-120/G	3960	120 V single phase	TT-TN	L/N and N/PE	50 kA	-	1 kV	1.5 kV	
DS252VG-400	2579	230 V single phase	IT	L/PE and N/PE	50 kA	1.5 kV	-	1.5 kV	1
DS252VG-300	3469	230 V single phase	TN	L/PE and N/PE	50 kA	1.5 kV	-	1.5 kV	
DS252VG-120	3950	120 V single phase	TN	L/PE and N/PE	50 kA	1 kV	-	1 kV	