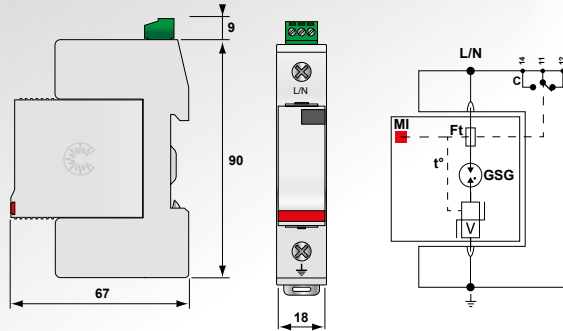


Type 2+3 AC Surge Protector DS40VG series

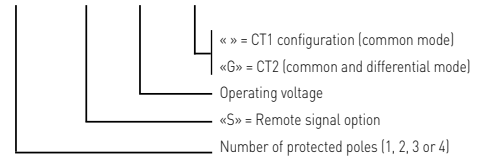
**Imax
40 kA**



GSG: Specific GDT
V: Varistor
Ft: Thermal fuse
C: Remote signaling contact
t°: Disconnection system
MI: Mechanical indicator

- Type 2 + 3 surge protector
- In 20 kA / I_{max} 40 kA
- Pluggable module
- Follow and operating current : none
- No ageing
- Optional remote signaling state
- Optimized to TOV
- EN 61643-11, IEC 61643-11 and UL 1449 ed.4 compliance

DS4x VGx-xxx/G



Characteristics

CITEL Model	DS41VG-230	DS41VG-120
Description	Type 2+3 AC surge protector - one-phase - pluggable	
Network	230/400 V	120/208V
Max. AC operating voltage	Uc 255 Vac	150 Vac
Temporary Over Voltage (TOV) Characteristics - 5 sec.	UT 335 Vac withstand	180 Vac withstand
Temporary Over Voltage (TOV) Characteristics - 120 mn	UT 440 Vac withstand	230 Vac withstand
Residual current - Leakage current at Uc	I _{pe} None	None
Follow current	I _f None	None
Nominal discharge current - 15 x 8/20 μs impulses	I _n 20 kA	20 kA
Max. discharge current - max. withstand @ 8/20 μs by pole	I _{max} 40 kA	40 kA
Withstand on Combination waveform - Class III test	Uoc 6 kV	6 kV
Protection level @ I _n	Up-in 0.8 kV	0.6 kV
Protection level	Up 1.25 kV	1.25 kV
Admissible short-circuit current	I _{sc} 25000 A	25000 A
Associated disconnectors		
Thermal disconnector	internal	
Fuses	Fuses Type gG - 50 A*	
Installation ground fault breaker	Type «S» or delayed	
Mechanical characteristics		
Dimensions	see diagram	
Connection to Network	By screw terminals: 2.5-25 mm ² / by bus	
Disconnection indicator	1 mechanical indicator	
Remote signaling of disconnection	option DS41VGS-230 : output on changeover contact	option DS41VGS-120 : output on changeover contact
Spare unit	DSM40VG-230	DSM40VG-120
Mounting	Symmetrical rail 35 mm (EN60715)	
Operating temperature	-40/+85°C	
Protection rating	IP20	
Housing material	Thermoplastic UL94-V0	
Standards compliance	IEC 61643-11 / EN 61643-11 / UL1449 ed.4	
Certification	EAC	
Part number	331751	331651

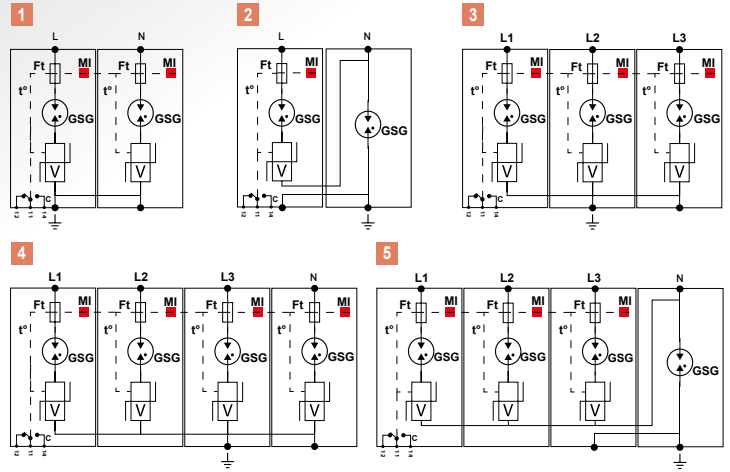
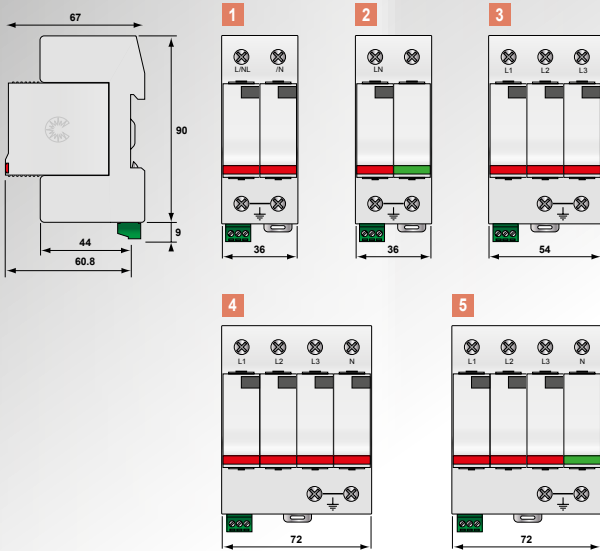
Note 1: Rating in compliance with NF C15-100 art.534.1.3.5.

In order to increase service continuity, higher rating can be used. For further information, please consult product instructions.





Type 2+3 Multipolar Surge Protector DS42VG, DS43VG, DS44VG



GSG: Specific GDT
V: Varistor
Ft: Thermal fuse
C: Remote signaling contact
t°: Disconnection system
MI: Mechanical indicator



DS44VG-230/G



Model	P/N	Network	AC system	Protection Mode	I _{total}	Up L/PE	Up L/N	Up N/PE	Diagram
DS44VG-230/G	461562	230/400 V 3-phase+N	TT-TNS	L/N and N/PE	100 kA	-	1.25 kV	1.5 kV	5
DS44VG-120/G	461662	120/208 V 3-phase+N	TT-TNS	L/N and N/PE	100 kA	-	1.25 kV	1.5 kV	
DS44VG-230	461552	230/400 V 3-phase+N	TNS	L/PE and N/PE	160 kA	1.25 kV	-	1.25 kV	4
DS44VG-120	461652	120/208 V 3-phase+N	TNS	L/PE and N/PE	160 kA	1.25 kV	-	1.25 kV	
DS43VG-230	461553	230/400V 3-phase	TNC	L/PE	120 kA	1.25 kV	-	-	3
DS43VG-120	461653	120/208V 3-phase	TNC	L/PE	120 kA	1.25 kV	-	-	
DS42VG-230/G	461561	230 V single phase	TT-TN	L/N and N/PE	80 kA	-	1.25 kV	1.5 kV	2
DS42VG-120/G	461661	120V single phase	TT-TN	L/N and N/PE	80 kA	-	1.25 kV	1.5 kV	
DS42VG-230	461551	230V single phase	TN	L/PE and N/PE	80 kA	1.25 kV	-	1.25 kV	1
DS42VG-120	461651	120V single phase	TN	L/PE and N/PE	80 kA	1.25 kV	-	1.25 kV	