

Type 1 + 2 + 3 Surge Protector for 690 Vac network DS250VG-690



CITEL

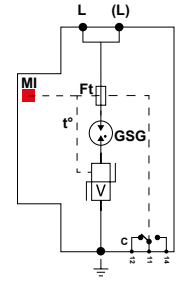
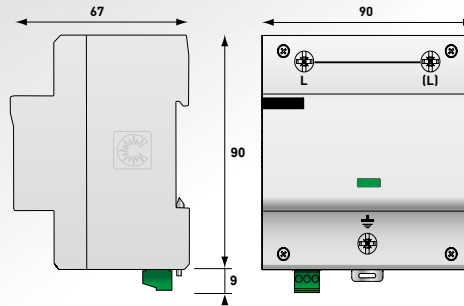
Iimp
25 kA



DS250VG-690



DS253VG-690



- **Type 1 + 2 + 3 surge protector**
- **In : 30 kA**
- **Iimp : 25 kA**
- **Low voltage Up**
- **Internal disconnection, status indicator and remote signaling**
- **EN 61643-11, IEC 61643-11 and UL1449 ed.4 compliance**

Characteristics

CITEL Model	DS250VG-690	DS253VG-690
Description	Type 1+2+3 AC surge protector - 1-pole	Type 1+2+3 AC surge protector - 3-phase
Network	400/690 V	400/690 V 3-phase
AC system	-	TNC/IT
Max. AC operating voltage	Uc 440 Vac	760 Vac
Temporary Over Voltage (TOV) Characteristics - 5 sec.	UT 1050 Vac withstand	1050 Vac withstand
Temporary Over Voltage (TOV) Characteristics - 120 mn	UT 1350 Vac withstand	1350 Vac withstand
Residual current - Leakage current at Uc	Ipe None	None
Max. Load current (if connection serie)	IL 100 A	100 A
Follow current	If None	None
Nominal discharge current - 15 x 8/20 μs impulses	In 30 kA	30 kA
Max. discharge current - max. withstand @ 8/20 μs by pole	I _{max} 100 kA	100 kA
Impulse current by pole - max. withstand 10/350 μs	I _{imp} 25 kA	25 kA
Specific energy by pole	W/R 156 kJ/ohm	156 kJ/ohm
Total lightning current - max. total withstand @ 10/350 μs	I _{total} NA	75 kA
Withstand on Combination waveform - Class III test	Uoc 6 kV	6 kV
Protection level @ In	Up-in 4 kV	4 kV
Protection level	Up 4 kV	4 kV
Admissible short-circuit current	I _{sc} 50000 A	50000 A
Associated disconnectors		
Thermal disconnector	internal	
Fuses	Fuses type gG - 315 A	
Installation ground fault breaker	Type «S» or delayed	
Mechanical characteristics		
Dimensions	see diagram	
Connection to Network	By screw : 6-35 mm ² (50mm ² flexible)	
Disconnection indicator	1 mechanical indicator	1 mechanical indicator by pole
Remote signaling of disconnection	output on changeover contact	
Mounting	Symmetrical rail 35 mm (EN60715)	
Operating temperature	-40/+85°C	
Protection rating	IP20	
Housing material	Thermoplastic UL94-V0	
Standards compliance	IEC 61643-11 / EN 61643-11 / UL1449 ed.4	
Certification	EAC	
Part number	63162	3957

