

Type 2 AC Surge Protector DS70R series

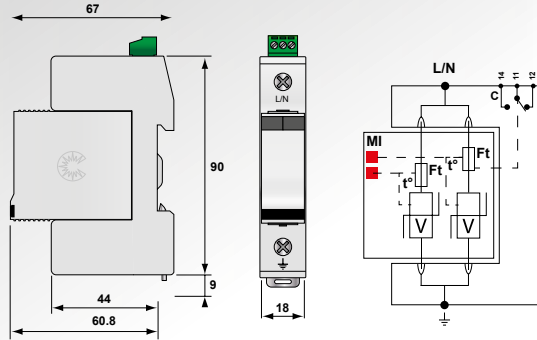


CITEL

**I_{max}
70 kA**



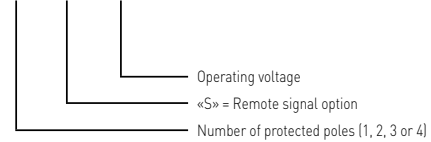
DS71R-400



V : High energy varistor
Ft : Thermal Fuse
C : Remote signaling contact
t : Thermal disconnection system
MI : Disconnection indicator

- Re-inforced Type 2 Surge Protector
- In : 30 kA
- I_{max} : 70 kA
- Pluggable module by phase
- Remote Signaling option
- IEC 61643-11 and EN 61643-11 compliance
- UL1449 ed.4

DS7x RS-xxx



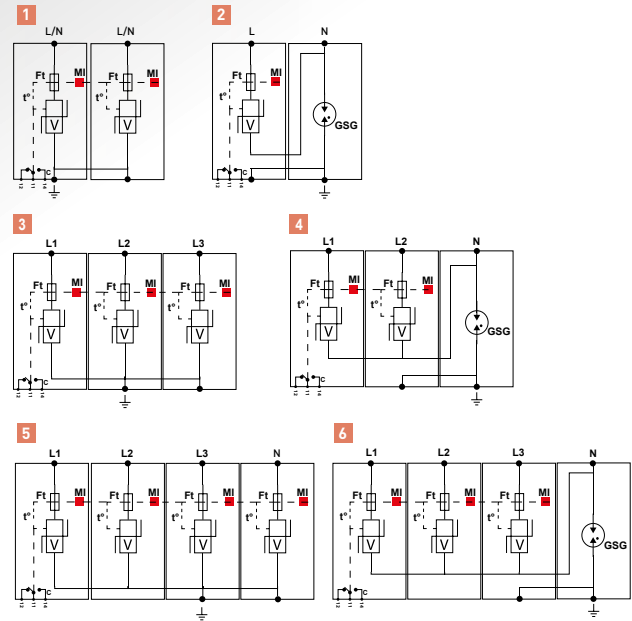
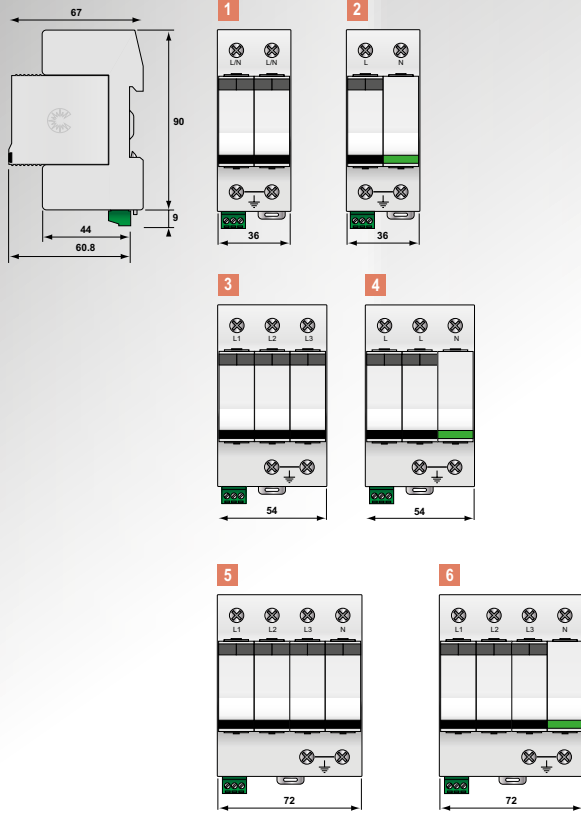
Characteristics

CITEL Model	DS71R-400	DS71R-320	DS71R-230	DS71R-120
Description	Type 2 AC surge protector - unipolar			
Network	230/400V	230/400 V	230/400V	120/208V
Max. AC operating voltage	Uc 440 Vac	320 Vac	255 Vac	150 Vac
Temporary Over Voltage (TOV) Characteristics - 5 sec.	UT 580 Vac withstand	335 Vac withstand	335 Vac withstand	180 Vac withstand
Temporary Over Voltage (TOV) Characteristics - 120 mn	UT 770 Vac disconnection	440 Vac disconnection	440 Vac disconnection	230 Vac disconnection
Residual current - Leakage current at Uc	Ipe < 1 mA	< 1 mA	< 1 mA	< 1 mA
Follow current	If None	None	None	None
Nominal discharge current - 15 x 8/20 μs impulses	In 30 kA	30 kA	30 kA	30 kA
Max. discharge current - max. withstand @ 8/20 μs by pole	I _{max} 70 kA	70 kA	70 kA	70 kA
Protection level	Up 1.8 kV	1.6 kV	1.4 kV	1 kV
Admissible short-circuit current	I _{scrr} 25000 A	25000 A	25000 A	25000 A
Associated disconnectors				
Thermal disconnector	internal			
Fuses	Fuses Type gG - 100 A			
Installation ground fault breaker	Type "S" or delayed			
Mechanical characteristics				
Dimensions	see diagram			
Connection to Network	By screw terminals: 2.5-25 mm ² / by bus			
Disconnection indicator	2 mechanical indicators			
Remote signaling of disconnection	option DS71RS-400 : output on changeover contact	option DS71RS-320: output on changeover contact	option DS71RS-230 : output on changeover contact	option DS71RS-120 : output on changeover contact
Spare unit	DSM70R-400	DSM70R-320	DSM70R-230	DSM70R-120
Mounting	Symmetrical rail 35 mm (EN60715)			
Operating temperature	-40/+85°C			
Protection rating	IP20			
Housing material	Thermoplastic UL94-V0			
Standards compliance	IEC 61643-11 / EN 61643-11 / UL1449 ed.4			
Certification	UL / CSA / EAC			
Part number	321401	-	3214011	321601

Note 1: Rating in compliance with NF C15-100 art.534.1.3.5. In order to increase service continuity, higher rating can be used. For further information, please consult product instructions.



Type 2 AC Multipolar Surge Protector DS72R, DS73R, DS74R



V: High energy varistor
 GSG: Specific gas tube
 Ft: Thermal Fuse
 C: Remote signaling contact
 t: Thermal disconnection system
 MI: Disconnection indicator



DS74RS-230

Model	P/N	Network	AC system	Protection Mode	I _{total}	Up L/PE	Up L/N	Up N/PE	Diagram
DS74R-320/G	-	230/400V 3-phase+N	TT-TNS	L/N and N/PE	70 kA	-	1.6 kV	1.5 kV	6
DS74R-230/G	491512	230/400 V 3-phase+N	TT-TNS	L/N and N/PE	70 kA	-	1.4 kV	1.5 kV	
DS74R-120/G	491612	120/208 V 3-phase+N	TT-TNS	L/N and N/PE	70 kA	-	1 kV	1.5 kV	5
DS74R-400	491402	230/400 V 3-phase+N	IT	L/PE and N/PE	280kA	1.8 kV	-	1.8 kV	
DS74R-320	-	230/400 V 3-phase+N	TNS	L/PE and N/PE	280 kA	1.6 kV	-	1.6 kV	
DS74R-230	491502	230/400 V 3-phase+N	TNS	L/PE and N/PE	280 kA	1.4 kV	-	1.4 kV	
DS74R-120	491602	120/208 V 3-phase+N	TNS	L/PE and N/PE	280 kA	1 kV	-	1 kV	
DS73R-120/G	-	120/208 V 2-phase+N	TNS	L/N and N/PE	70 kA	-	1 kV	1.5 kV	4
DS73R-400	491403	230/400 V 3-phase	IT	L/PE	210 kA	1.8 kV	-	-	
DS73R-320	-	230/400 V 3-phase	TNC	L/PE	210 kA	1.6 kV	-	-	
DS73R-230	491503	230/400 V 3-phase	TNC	L/PE	210 kA	1.4 kV	-	-	3
DS73R-120	491603	120/208 V 3-phase	TNC	L/PE	210 kA	1 kV	-	-	
DS72R-320/G	-	230 V single phase	TT	L/N and N/PE	70 kA	-	1.6 kV	1.5 kV	2
DS72R-230/G	491511	230 V single phase	TT	L/N and N/PE	70 kA	-	1.4 kV	1.5 kV	
DS72R-120/G	491611	120 V single phase	TT	L/N and N/PE	70 kA	-	1 kV	1.5 kV	
DS72R-400	491401	230 V single phase	IT	L/PE and N/PE	140 kA	1.8 kV	-	1.8 kV	1
DS72R-320	-	230 V single phase	TN	L/PE and N/PE	140 kA	1.6 kV	-	1.6 kV	
DS72R-230	491501	230 V single phase	TN	L/PE and N/PE	140 kA	1.4 kV	-	1.4 kV	
DS72R-120	491601	120 V single phase	TN	L/PE and N/PE	140 kA	1 kV	-	1 kV	